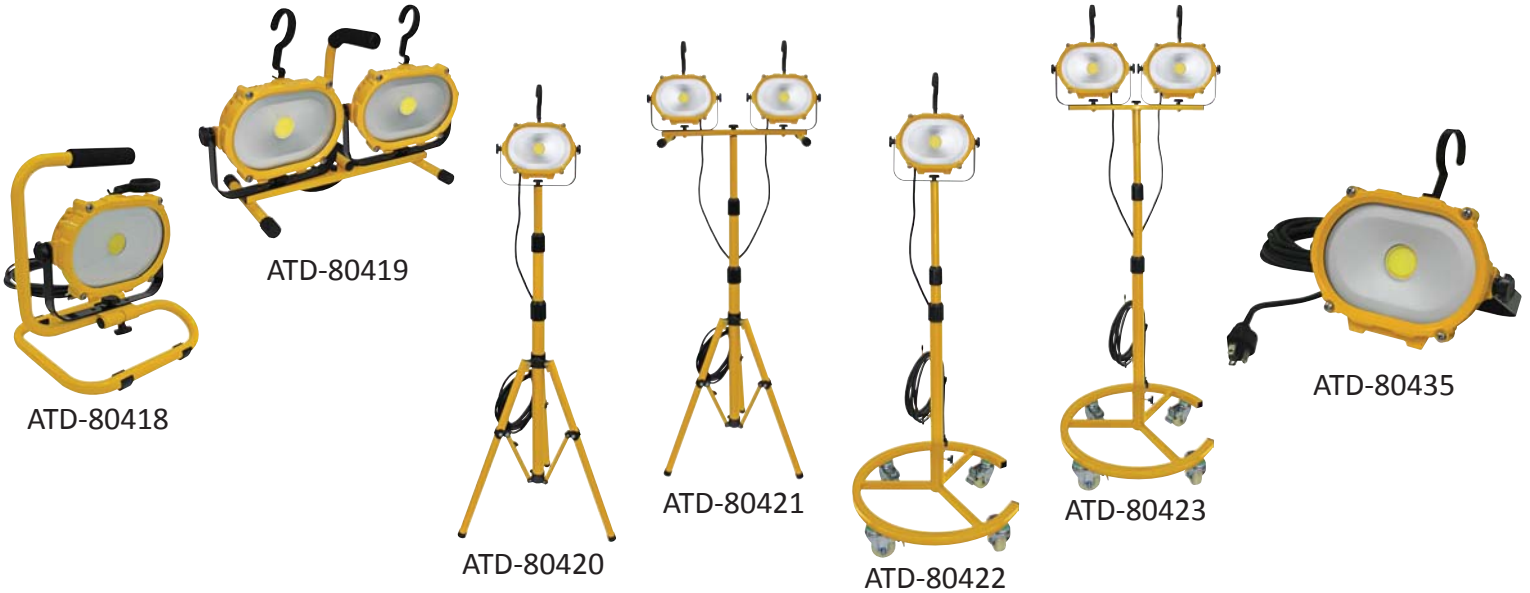




ATD-80418 / ATD-80419 / ATD-80420 / ATD-80421 ATD-80422 / ATD-80423 / ATD-80435 35-WATT LED WORKLIGHTS OWNERS MANUAL



Light Features:

- Heavy-duty die cast yellow powder coated aluminum housing for high visibility and excellent corrosion resistance
- 35-Watt high output COB LED illuminates a large work area
- COB LEDs have increased thermal dissipation, long life and better lighting effect
- 16 ft. oil-resistant power cord remains flexible in cold weather
- CSA outdoor certified

Stand features (vary per model):

- Portable stand allows convenient placement at work site (ATD-80418 & ATD80419)
- Strong rotating telescopic stand extends from 34" to 72" and easily folds for storage (ATD-80420 & ATD-80421)
- Strong telescopic stand with locking wheels extends from 33" to 67" (ATD-80422 & ATD-80423)
- 180° swivel bracket and integrated hook on light head allows unlimited mounting options (ATD-80435)


Specifications:


- Power Cord: 18/3 SJTOW – 16 ft. length
- Brightness: 4200 lumens
- IP67 rating


California Prop 65 WARNING:

This product contains chemicals including lead, known to the State of California to cause cancer, birth defects, or other reproductive harm. **Wash hands after handling.**


General Safety Warnings:


 **WARNING:** The instructions and warnings contained in this manual should be read and understood before using or operating this light. Do not allow anyone to use or operate this light until they have read this manual and have developed a thorough understanding of how this light works. Failure to observe any of the following instructions could result in severe personal injury to tool user and bystanders, or cause damage to the tool and property. Keep this manual for future reference.


 **Note:** The warnings and cautions discussed in this instruction manual cannot cover all possible conditions and situations that may occur. It must be understood by the operator that common sense and caution are factors which cannot be built into this product, but must be supplied by the operator.


 **WARNING:** Always keep your work area clean, uncluttered, and well lit. Cluttered or dark areas invite accidents and injuries. DO NOT work on floor surfaces that are slippery.


Electrical Safety Warnings:


 **WARNING:** Read all safety warnings and instructions. Failure to follow all warnings and instructions may result in electric shock, fire and/or serious injury or death.


 **WARNING:** Before connecting a light to a power supply, always check to ensure the power supply corresponds to the voltage on the nameplate of the light. A power supply with a voltage greater than that specified for the light can result in serious injury to the user, as well as damage to the light. Using a power supply with a voltage less than the nameplate rating is harmful to the motor. If in doubt, do not plug in the light.


 **WARNING:** Grounded lights must be plugged into an outlet properly installed and grounded in accordance with all codes and ordinances. This light is equipped with a 3-prong plug and a 3-wire grounding system. Never remove the grounding prong or modify the plug in any way. Do not use any adapter plugs. Check with a qualified electrician if you are in doubt as to whether the outlet is properly grounded.


 **NOTE:** Double insulated lights are equipped with a polarized plug (one blade is wider than the other). This plug will fit in a polarized outlet only one way. If the plug does not fit fully in the outlet, reverse the plug. If it still doesn't fit, contact a qualified electrician to install a polarized outlet. Do not change the plug in any way.


 **WARNING:** To reduce the risk of electric shock, DO NOT use in damp conditions, on wet surfaces, or expose to rain. Do not plug in this light or operate it with wet hands or while standing in water.


 **WARNING:** Never use the cord for carrying, pulling or unplugging the power light. Grasp plug and pull to disconnect from outlet. Keep cord away from heat, oil, sharp edges or moving parts. Replace damaged cords immediately.


 **WARNING:** Always remove the power cord from the electric outlet when making adjustments, changing parts, cleaning or working on the light.


 **WARNING:** Care should be taken to arrange the cord so it will not be stepped on, tripped over, or otherwise subjected to damage or stress.


 **WARNING:** Never attempt to plug in or operate equipment with defective or damaged wires, power cord or power cord plug. Have any defective or damaged parts replaced immediately by qualified personnel.

 **WARNING:** Avoid body contact with electrically grounded surfaces. There is an increased risk of electric shock if your body is grounded.

 **WARNING:** If the work area is not equipped with a permanently installed Ground Fault Circuit Interrupter outlet (GFCI), use a plug-in GFCI between the power light or extension cord and the power receptacle.


 **WARNING:** If an extension cord is necessary, use only 'Listed' extension cords. If used outdoors, they must be marked "For Outdoor Use". Those cords having a 3-prong grounding type plugs and mating receptacles are to be used with grounded lights.

 **WARNING:** Use of improper size or gauge of extension cord may cause unsafe or inefficient operation of your light, or cause damage to your light. Be sure your extension cord is rated to allow sufficient current flow to the motor. If in doubt, always use a larger gauge cord. Be sure to check the voltage requirements of the light to your incoming power source.


 **NOTE:** The table below shows the correct size to use according to cord length and the amperage draw of the light (specified on the nameplate). When in doubt, use the next heavier gauge. The smaller the gauge number, the heavier the cord. (AWG = American Wire Gauge).


Minimum Gauge for Extension Cords (AWG)
(when using 120 volts only)


Ampere Rating		Total Length of Cord in Feet (meters)			
More Than	Not More Than	25' (7.6m)	50' (15m)	100' (30.4m)	150' (45.7m)
0	6	18	16	16	14
6	10	18	16	14	12
10	12	16	16	14	12
12	16	14	12	Not Recommended	


 **WARNING:** The work light must be connected to a 120 VAC power source as specified. All wiring should be performed by a qualified electrician.


 **WARNING:** Disconnect power (unplug the light) before installing or servicing.

 **WARNING:** To reduce the risk of electric shock, lights should be plugged directly into a properly installed and grounded 3-prong receptacle. Use only a 3-wire extension cord that has a 3-prong grounding type plug with 3-pole receptacles that accept the equipment plug.

 **WARNING:** These fixtures are not intended to be used in potentially dangerous locations, such as flammable or explosive atmospheres.

 **WARNING:** Do not disassemble the light head. The water resistant function will be affected after disassembling/opening the light.

 **WARNING:** Keep plugs and receptacles dry.

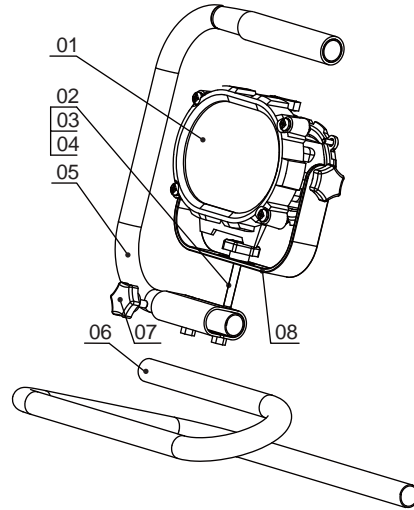
 **WARNING:** On lights with telescopic stands, do not raise the light above the marked warning line on the extension to prevent tipping of light.

ATD 35-WATT LED Worklight Operation:

- 1) The light is turned on and off with a switch located on the back of the lamp head.

ATD-80418 Assembly Instructions:

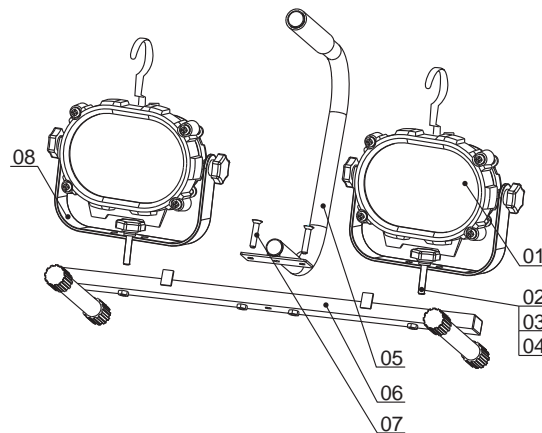
REF NO	DESCRIPTION	QTY
01	Light head	1
02	BSW bolt 1/4"	1
03	Flat washer	1
04	Spring washer	1
05	Bracket handle	1
06	Bracket base	1
07	BSW bolt 1/4"	1
08	Lighthouse bracket	1



- 1) Single Head: Insert bracket base (06) into bracket handle (05) using the BSW bolt (07).
- 2) Insert BSW bolt (02) and attach spring washer (04) and flat washer (03) to the light-head bracket (08) and then through the bracket handle (05) and tighten.
- 3) Velcro can be used to tie cord off.

ATD-80419 Assembly Instructions:

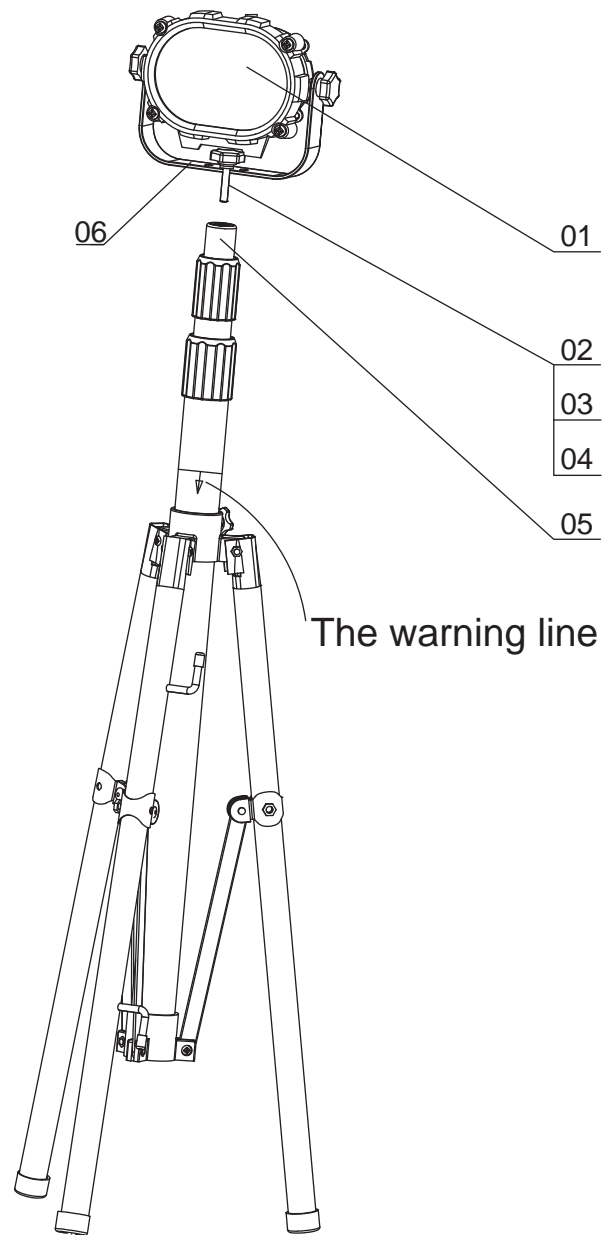
REF NO	DESCRIPTION	QTY
01	Light head	2
02	BSW bolt 1/4"	2
03	Flat washer	2
04	Spring washer	2
05	Bracket handle	1
06	Cross bar	1
07	BSW screw 1/4"	2
08	Lighthouse bracket	2



- 1) Twin Head: Insert bracket handle (05) into cross bar (06) with BSW screw (07).
- 2) Insert BSW bolt (02) and attach spring washer (04) and flat washer (03) to the light-head bracket (08) and then through the cross bar (06) and tighten.
- 3) Velcro can be used to tie cord off.

ATD-80420 Assembly Instructions:

REF NO	DESCRIPTION	QTY
01	Light head	1
02	BSW Bolt 1/4"	1
03	Flat washer	1
04	Spring washer	1
05	Bracket	1
06	Light head bracket	1



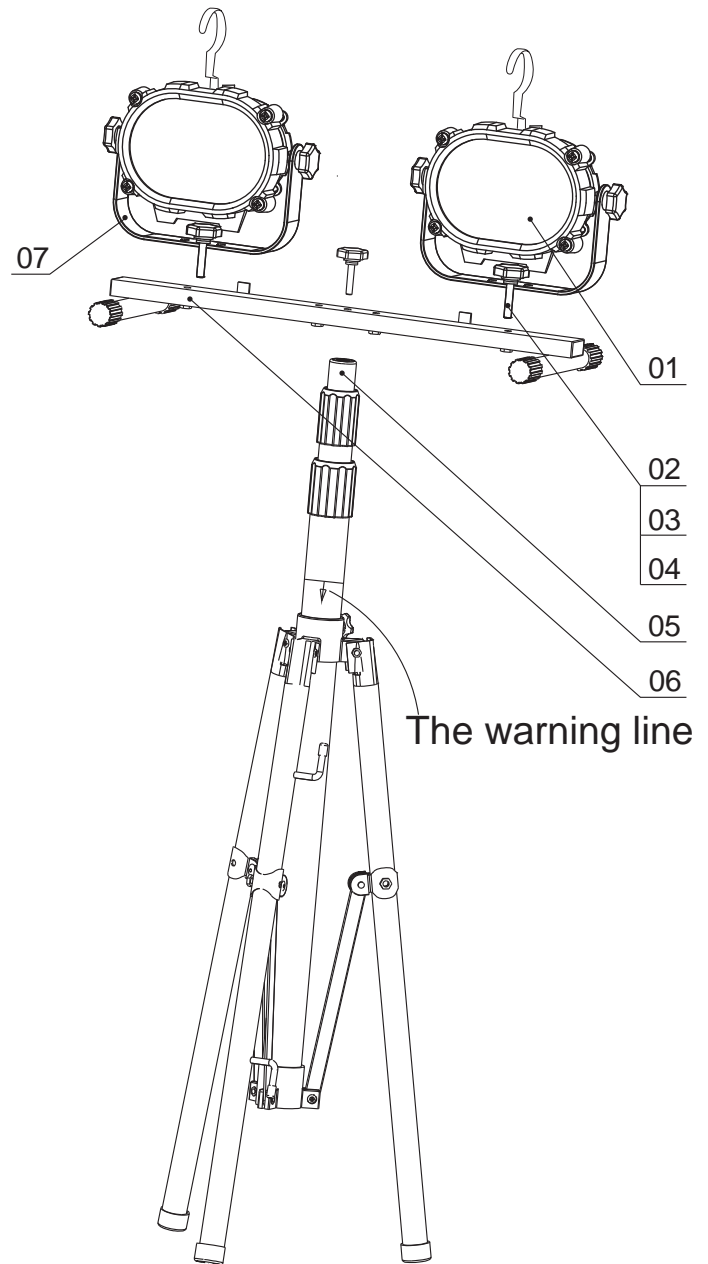
- 1) Insert BSW bolt (02) through the light head bracket (06) slide spring washer (04) and flat washer (03) to the BSW bolt (02) and then thread BSW bolt (02) to the tripod stand as shown illustration above.
- 2) Fasten the BSW bolt (02) to the tripod stand (05) and tighten.
- 4) Velcro can be used to tie cord off.

OPERATION:

- 1) Lamp is turned on and off with a switch located on the back of the lamp head.

ATD-80421 Assembly Instructions:

REF NO	DESCRIPTION	QTY
01	Light head	2
02	BSW bolt 1/4"	3
03	Flat washer	3
04	Spring washer	3
05	Bracket	1
06	Cross bar	1
07	Light head bracket	2



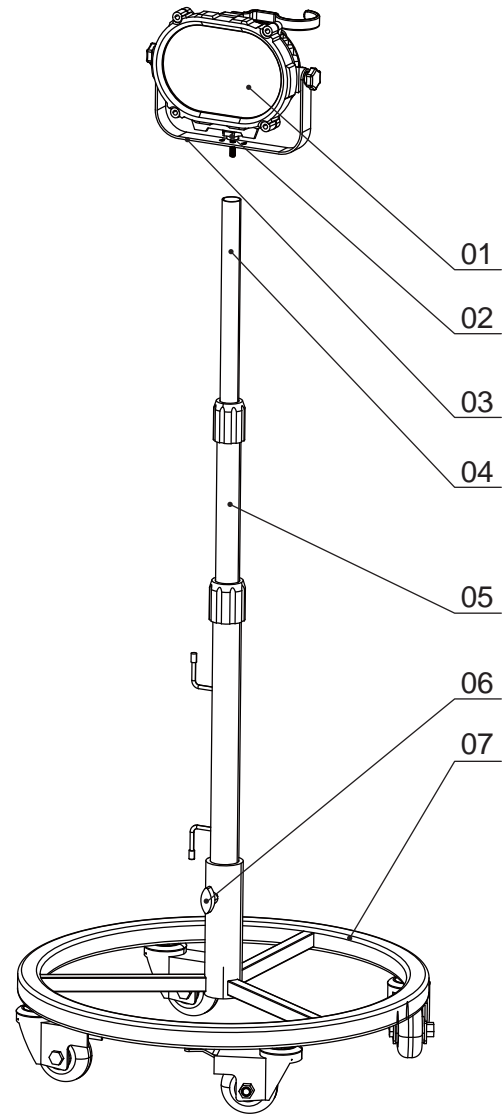
- 1) Twin Head: Insert cross bar (06) into bracket (05) with BSW bolt (02) and tighten together.
- 2) Insert BSW bolt (02) by attaching spring washer (04) and flat washer (03) through the light-head bracket (07).
- 3) Fasten the BSW bolt (02) with bracket (05) and cross bar (06) and tighten.
- 4) Velcro can be used to tie cord off.

OPERATION:

- 1) Lamp is turned on and off with a switch located on the back of the lamp head.

ATD-80422 Assembly Instructions:

REF NO	DESCRIPTION	QTY
01	Light head	1
02	BSW Bolt 1	1
03	Light head bracket	1
04	Bracket	1
05	Telescopic pole	1
06	BSW Bolt 2	1
07	Stand base with wheel	1



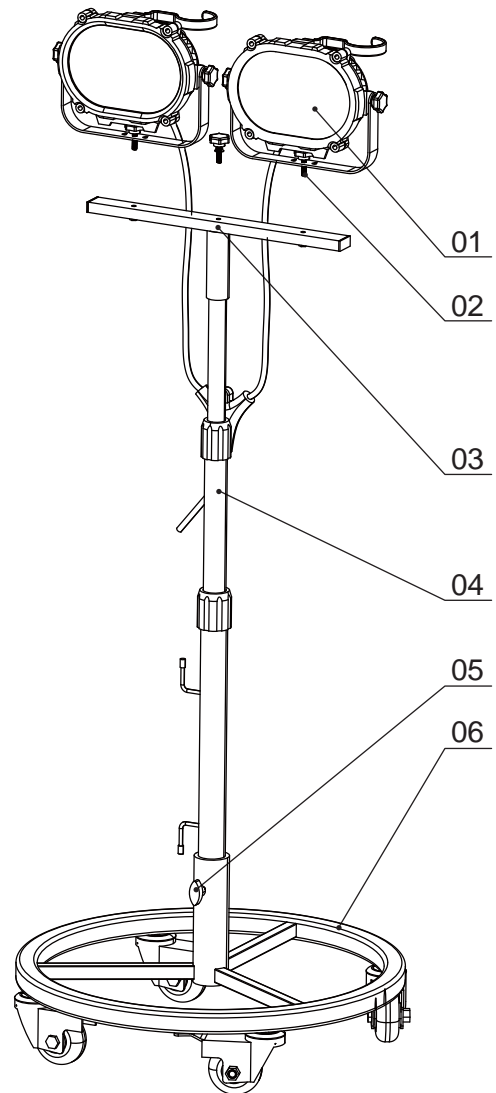
- 1) Fasten the telescopic pole (05) and stand base with wheel (07) with BSW bolt (06).
- 2) Insert the BSW bolt (02) to the light head bracket (03) and then through the bracket (04).
- 3) Fasten the BSW bolt (02) with bracket (04) and tighten it.
- 4) Velcro can be used to tie cord off.

OPERATION:

- 1) Lamp is turned on and off with a switch located on the back of the lamp head.

ATD-80423 Assembly Instructions:

REF NO	DESCRIPTION	QTY
01	Light head	2
02	BSW Bolt 1	3
03	T-pole	1
04	Telescopic pole	1
05	BSW Bolt 2	1
06	Stand base with wheel	1



- 1) Fasten the telescopic pole (04) and stand base with wheel (06) with BSW bolt (05).
- 2) Put the T-pole (03) into the telescopic pole hole (04).
- 3) Insert the BSW bolt (02) into the T-pole (03) to fix the pole.
- 4) Insert the BSW bolt (02) into the T-pole (03) to fix the light.
- 5) Velcro can be used to tie cord off.

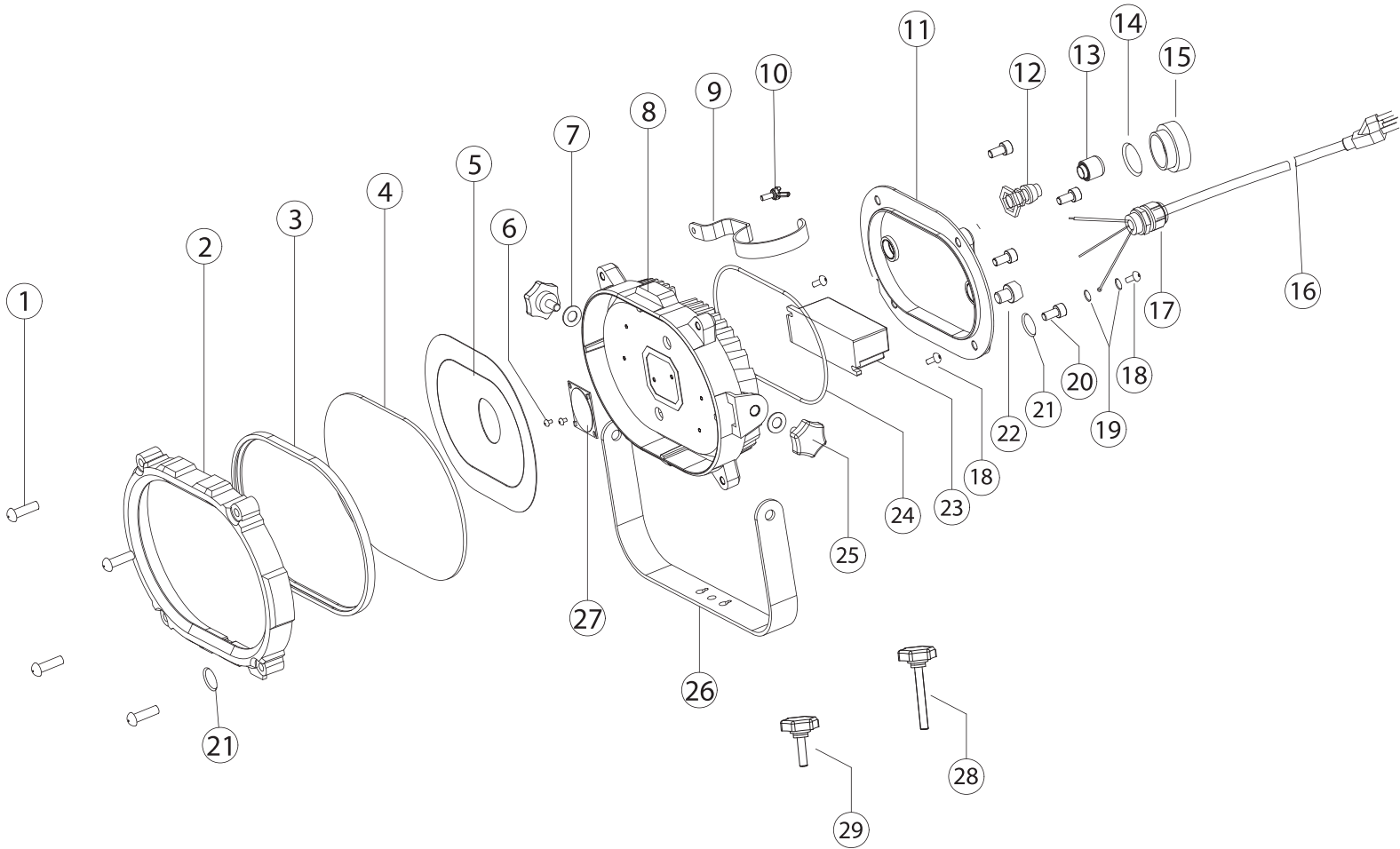
OPERATION:

- 1) Lamp is turned on and off with a switch located on the back of the lamp head.



ATD-80418 / ATD-80419 / ATD-80420 / ATD-80421
 ATD-80422 / ATD-80423 / ATD-80435

LIGHT ASSEMBLY

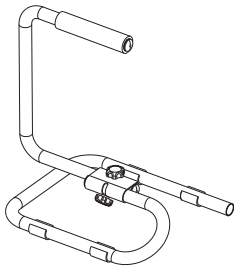


ITEM#	ORDERING PART#	PART DESCRIPTION
1	PRT80435-01	SCREW
2	PRT80435-02	HOUSING, UPPER
3	PRT80435-03	SEALING RING
4	PRT80435-04	TEMPERED GLASS
5	PRT80435-05	REFLECTOR
6	PRT80435-06	SCREW
7	PRT80435-07	INNER JAGGED WASHER
8	PRT80435-08	HOUSING,MIDDLE
9	PRT80435-09	HOOK
10	PRT80435-10	BUTTERFLY SCREW
11	PRT80435-11	HOUSING,LOWER
12	PRT80435-12	BUTTON SWITCH
13	PRT80435-13	SWITCH SEALING COVER
14	PRT80435-14	O RING
15	PRT80435-15	SWITCH BASE
16	PRT80435-16-1	CORD,18/3 SJTOW FOR SINGLE HEAD
	PRT80435-16-2	CORD,18/3 SJTOW FOR DOUBLE HEAD
17	PRT80435-17	WATER RESISTANT ADAPTERCONNECTOR

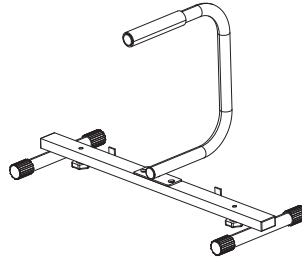
ITEM#	ORDERING PART#	PART DESCRIPTION
18	PRT80435-18	POWER SUPPLY
19	PRT80435-19	OUTSIDE WASHER 2
20	PRT80435-20	SCREW
21	PRT80435-21	OUTSIDE WASHER 1
22	PRT80435-22	RESPIRATOR
23	PRT80435-23	DRIVER
24	PRT80435-24	O RING 1
25	PRT80435-25	HAND BOLT
26	PRT80435-26	BRACKET
27	PRT80435-27	COB LED
28	PRT80435-28	SCREW FOR ASSEMBLING THE STAND AND LIGHT
29	PRT80435-29	SCREW FOR ASSEMBLING THE STAND AND LIGHT
30	PRT80418-30	SINGLE PORTABLE STAND
31	PRT80419-30	DOUBLE HEAD PORTABLE STAND
32	PRT80420-30	SINGLE TRIPOD STAND
33	PRT80421-30	DOUBLE HEAD TRIPOD STAND
34	PRT80422-30	SINGLE WHEELED STAND
35	PRT80423-30	DOUBLE HEAD WHEELED STAND

Made in China to ATD Tools, Inc. Specifications
 Visit us at www.atdtools.com

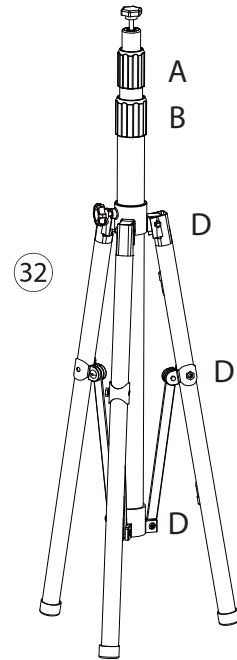
STAND OPTIONS



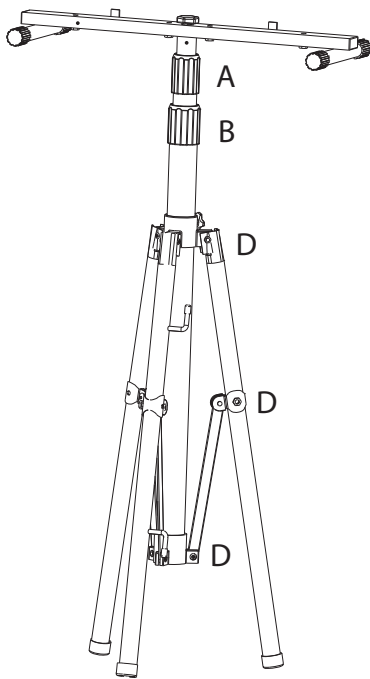
30



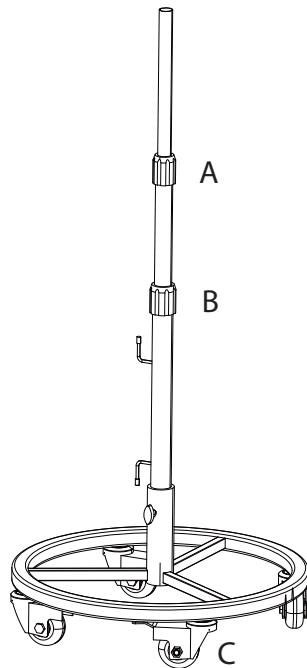
31



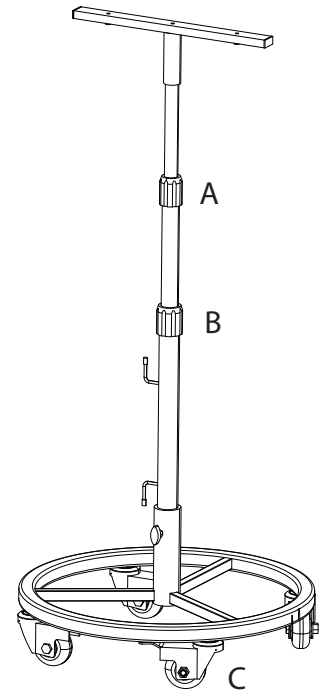
32



33



34



35

STAND PARTS

ITEM#	ORDERING PART#	PART DESCRIPTION
A	PRT80422-30-1	UPPER TELESCOPING NUT ASSY (SMALL)
B	PRT80422-30-2	LOWER TELESCOPING NUT ASSY (LARGE)
C	PRT80422-30-3	CASTER FOR ROLL AROUND STAND
D	PRT80420-30-1	HINGE BASE, 3 HINGES, UPPER HINGE SLIDE